



TSM 411

DYNAMIC MICROPHONE

Description

The **TSM 411** is a percussion / general purpose application microphone. The **TSM 411** incorporates an all new "duo-point" suspension. This technology provides remarkable shock isolation and ballistic stability, which is very important for successful reproduction of sound sources originating from percussion instruments such as tom toms, snares, cymbals, conga's, guitar and keyboard amps, stacks, and other similar applications. A rubber clad soft swivel is also included.



Specifications

Generating Element:

Neodymium Dynamic

Polar Pattern:

Supercardioid

Frequency Response:

50 Hz - 15 kHz

Sensitivity:

-74 dB 0dB=1V/uBar @ 1 kHz
2 mV / PA

Impedance:

300 Ohms ± 30% @ 1 kHz

Housing:

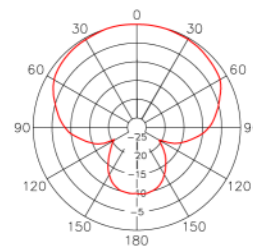
Die Cast Zinc Alloy

Finish:

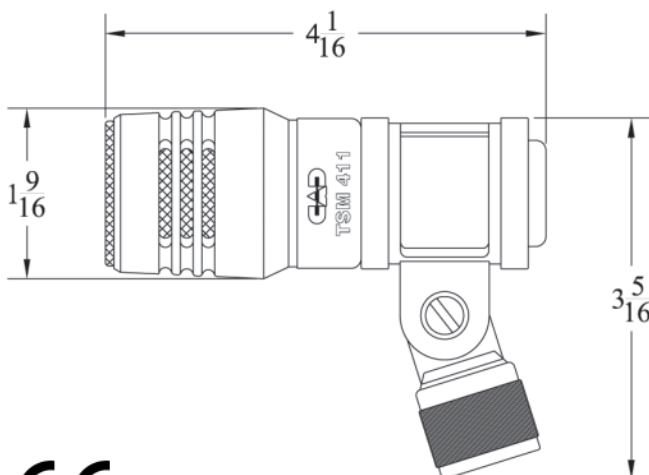
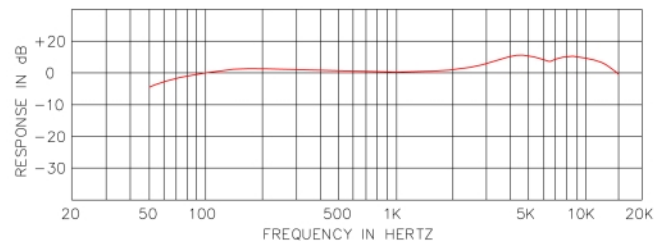
"Titanium Gray"

CAD Quality

All **TSM 411** microphones are audio tested and inspected prior to shipment. Our absolute commitment to quality insures that **CAD** microphones remain the **Best Value** in today's competitive industry.



Polar Pattern @ 1Khz



TWO-YEAR LIMITED WARRANTY

CTI Audio, Inc. ("CAD") hereby warrants that this product will be free of defects in material and workmanship for a period of two years from the date of purchase. In the unlikely event a defect occurs CAD will, at its option, either repair or replace with a new unit of equal or greater value. You should retain proof of purchase to validate the purchase date and return it with any warranty claim. Return warranty claims carefully packed, insured and prepaid to the Service Department at the address listed below.

This warranty excludes exterior finish or appearance, damage from abuse, misuse of the product, use contrary to CAD's instructions or unauthorized repair. All implied warranties or merchantability or fitness for a particular purpose are hereby disclaimed and CAD hereby disclaims liability for incidental, special or consequential damages resulting from the use or unavailability of this product.

This warranty gives you specific legal rights and you may also have other rights which vary from state to state. Some states do not allow the exclusion or limitation of incidental or consequential damages or limitations on how long an implied warranty lasts, so the above exclusions and limitations may not apply to you.

Note: No other warranty, written or oral is authorized by CTI Audio, Inc.